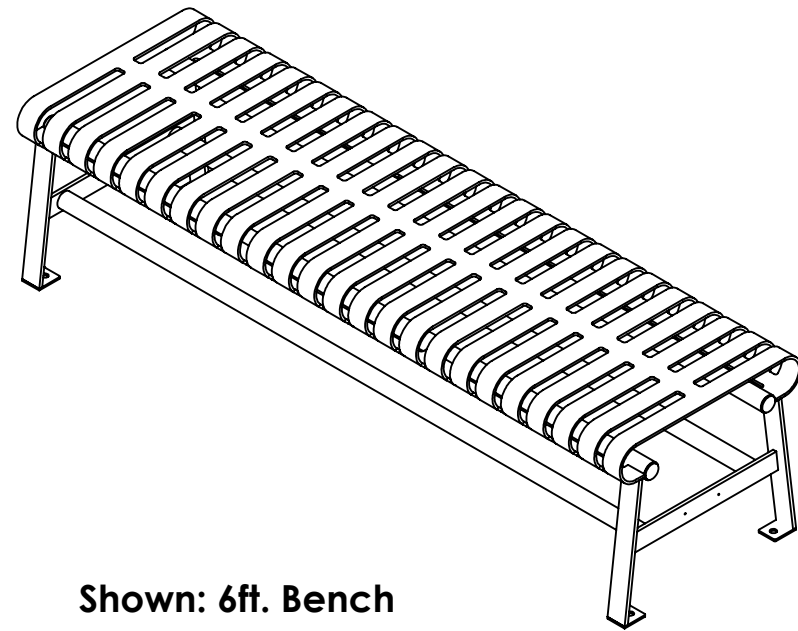
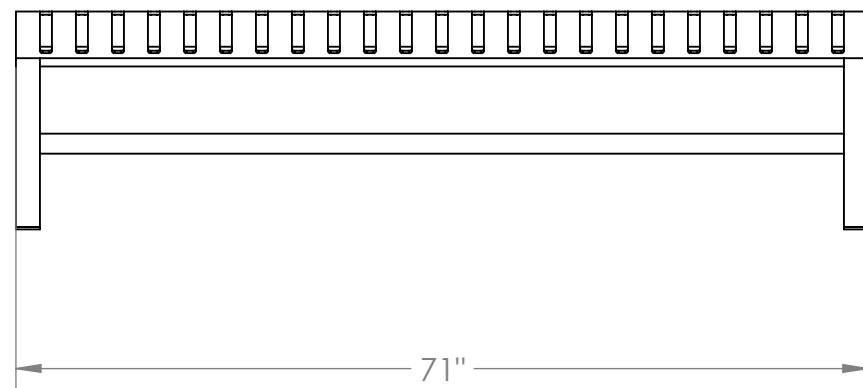


Sugar Maple Bench Product Information & Installation Instructions



Shown: 6ft. Bench



The Sugar Maple Bench brings with it a sense of practicality and simplicity. Built for durability and strength, this bench can withstand any type of weather.

The seat is constructed of continuous 1/4" cold rolled steel. The contact feet are made from stainless steel to eliminate risk of corrosion. The bench is fully welded with no overlapping surfaces where moisture can be trapped. The bench is sandblasted to a SSPC-SP 5/NACE standard "white finish", epoxy primed, and powder coated with a "Super Durable TGIC" polyester top coat in the color of your choice.

Standard Colors: Black (BL), Blue (B), Green (G), Red (R), Brown (BR), Classic Grey (CG), Copper Vein (CV), Sierra Tan (ST), Medium Bronze (MB), Statuary Bronze (SB), Redwood (RW) and Yellow (Y).

All Premier Site Furniture products are made in America from no less than 70% recycled steel and are backed by a one year manufacturer warranty.

Model #	Dimensions	Weight
CM400R	52" x 22" x 24"	140 lbs
CM600R	76" x 22" x 24"	210 lbs
CM800R	100" x 22" x 24"	280 lbs

Installation Instructions

Four each 5/16" x 4 3/4" long wedge anchors, 5/16" flat washers, and 5/16" hex nuts are required for mounting.

1. Place your bench in the desired location and mark the location of the mounting holes on the concrete.
2. Using a 5/16" diameter carbide drill bit, drill the four holes to any depth exceeding the desired embedment. A minimum depth of 4 1/8" is recommended.
3. Clean drill fines from hole.
4. Assemble washer and nut, leaving nut flush with end of the anchor to protect threads. Drive each anchor into a hole. Once the recommended depth of 4 1/8" is achieved, hand tighten the nut until the washer is flush to surface of the concrete.
5. Expand the anchor by tightening the nut 3-5 turns past the hand tight position, or to the specified torque requirement.
6. Remove the nuts and washers from the anchors.
7. Place the bench over the anchors and reinstall the washers and nuts.

